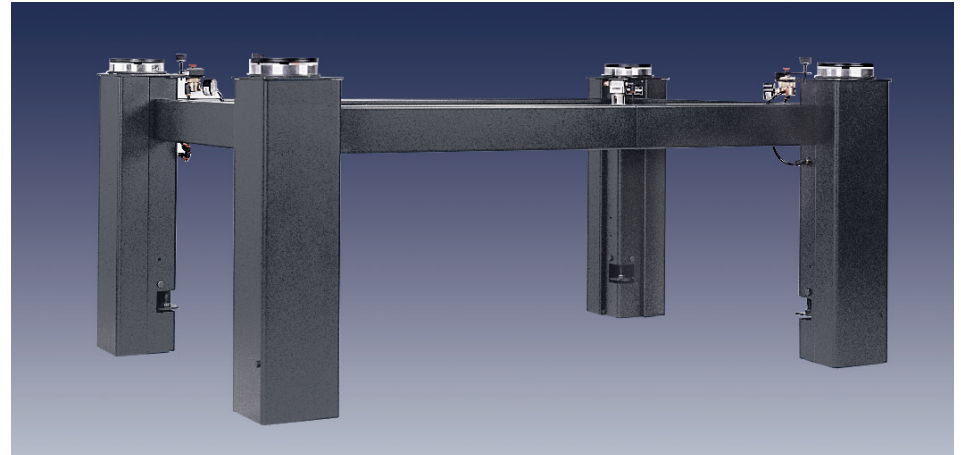
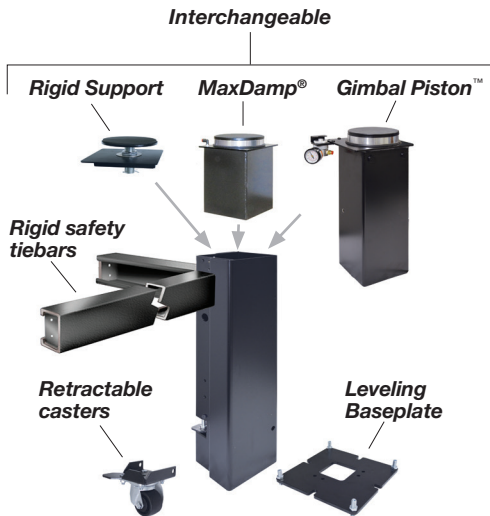


# Isolation options for Optical Top Support Systems

TMC isolation systems can be equipped with the standard Gimbal Piston™ Isolator or a Patented MaxDamp® Isolator.



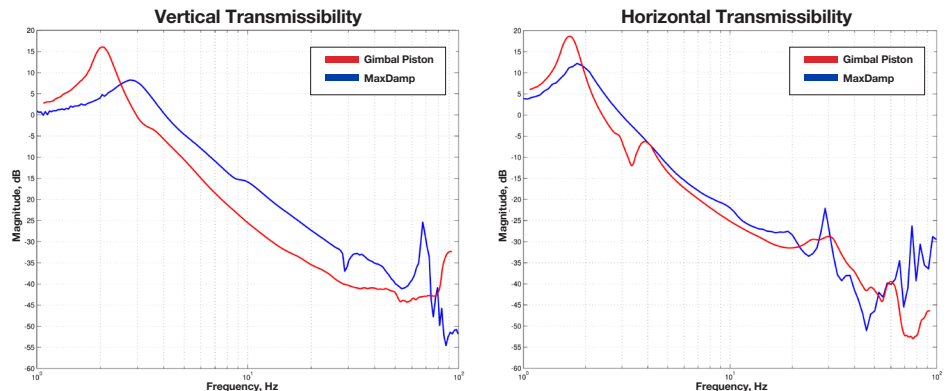
**Gimbal Piston Isolators** are the ideal solution for most Optical Table applications. Widely regarded as the industry standard for many years the Gimbal Piston Isolator provides excellent vertical and horizontal vibration isolation down to very low levels of vibration input. Very good vibration attenuation, especially at higher frequencies.

**MaxDamp Isolators** provide more aggressive damping than Gimbal Pistons and are ideal for high center-of-mass payloads and narrow, thick table tops. The patented MaxDamp design has less amplification at resonance and is more effective at rapidly settling motion of the table top caused by motorized stages, robots, and other on-board sources of force.

All the normal functionality of the system is maintained, only a different isolator is placed in the post. To order just add the letter 'M' after the prefix in the part number, for example 14M-426-35 would be a leg system with four 1,000 lbs capacity max Damp Isolators, with tie bars and casters.

## TMC Advantages

- Interchangeable, upgradeable
- Available in all systems
- All capacities
- MaxDamp can be fit into a shorter system than the Gimbal Piston Isolator
- Just one step in many upgrade paths available from TMC



*Performance of the MaxDamp will reduce the amplification at resonance, however, isolation efficiency is slightly reduced at higher frequencies.*